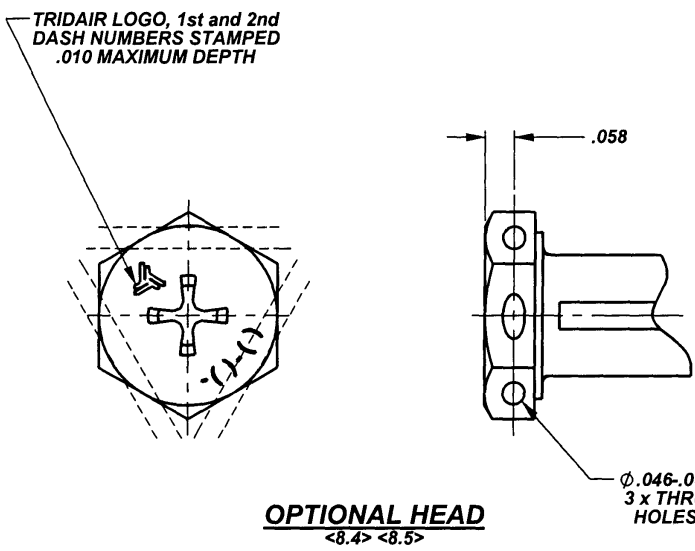
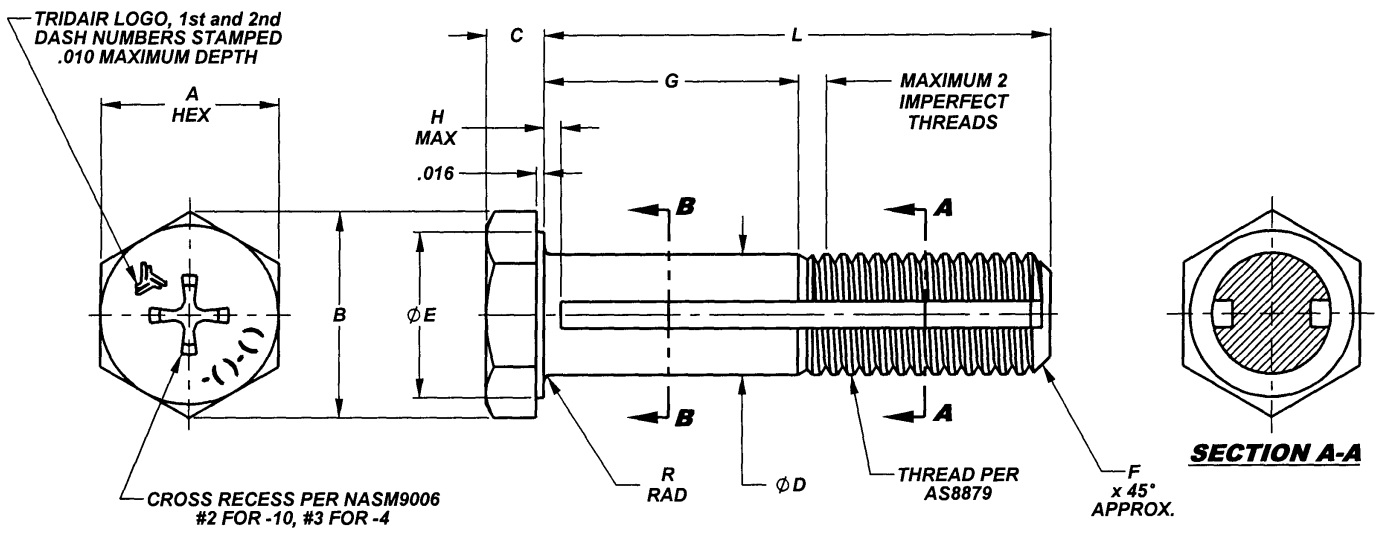


MANUFACTURE OF THE PROPRIETARY PARTS SHOWN HERE WITHOUT WRITTEN CONSENT IS ABSOLUTELY PROHIBITED

THIS DRAWING EMBODIES A CONFIDENTIAL, PROPRIETARY DESIGN & ALL DESIGN, MANUFACTURING PRODUCTION, USE & SALE RIGHTS REGARDING SAME ARE EXPRESSLY RESERVED.



INTERIM DOCUMENT REVISION		
Rev.	Date	DAF #
A1	10/21/10	94301

INTERIM DOCUMENT REVISION		
Rev.	Date	DAF#
H2	10/8/2018	117431

TABLE 1

FIRST DASH NUMBER	THREAD SIZE	A HEX	B REF	C	Ø D	Ø E MIN	F	H MAX	R RAD	TENSILE STRENGTH POUNDS MINIMUM	ULTIMATE SINGLE SHEAR STRENGTH MINIMUM CALCULATED ACROSS A-A	ULTIMATE SINGLE SHEAR STRENGTH MINIMUM CALCULATED ACROSS B-B
-10	.1900-32UNJF-3A	.314 .305	.348	.120 .105	.1895 .1885	.272	.030	.050	.020 .010	2,420	1,450 LBS.	1,950 LBS.
-4	.2500-28UNJF-3A	.376 .367	.410	.140 .125	.2495 .2485	.335	.035	.050	.020 .010	4,650	2,775 LBS.	3,580 LBS.
-6	.3750-24UNJF-3A	.562 .551	.610	.290 .270	.3745 .3735	.505	.040	.065	.025 .010	11,300	7,300 LBS.	8,310 LBS.

APPROVED DATE 3 MAY 94 REV. LETTER AND DATE H 10 FEB 10 DAF NUMBER DAF 91135	CURRENT DESIGN ACTIVITY: ARCONIC Arconic Fastening Systems TRIDAIR PRODUCTS 3000 W. LOMITA BLVD. TORRANCE, CA 90505	TITLE: SCREW, CAPTIVE HEX HEAD, CRES UNLESS OTHERWISE SPECIFIED DIMENSIONS ARE IN INCHES & ASME Y14.5M TOLERANCES: ANGLES = ±2' DECIMALS .XX = ±.02 .XXX = ±.010	CURRENT DESIGN ACTIVITY: CAGE CODE: 29372 SALES DRAWING NO. CA2254-()-() SHEET 1 OF 2
---	--	--	--

PROJECT NUMBER: 92-155, 94-108, 95-036, 95-036A and 10-006

SCANNED

MANUFACTURE OF THE PROPRIETARY PARTS SHOWN HERE WITHOUT WRITTEN CONSENT IS ABSOLUTELY PROHIBITED

THIS DRAWING EMBODIES A CONFIDENTIAL, PROPRIETARY DESIGN & ALL DESIGN, MANUFACTURING PRODUCTION, USE & SALE RIGHTS REGARDING SAME ARE EXPRESSLY RESERVED.

NOTES; UNLESS OTHERWISE SPECIFIED:

1. MATERIAL:
 - 1.1 286 CRES PER AMS5731 AND/OR AMS5737.
2. HEAT TREAT:
 - 2.1 160 KSI MINIMUM TENSILE.
3. FINISH:
 - 3.1 STANDARD: PASSIVATED PER AMS2700.
 - 3.2 OPTIONAL: CADMIUM PLATED PER AMS-QQ-P-416, TYPE II, CLASS 2 INDICATED BY LETTER "C" IN LIEU OF FIRST DASH. SEE EXAMPLE IN NOTE <8>.
 - 3.3 OPTIONAL: BLACK OXIDE COATING PER MIL-DTL-13924 INDICATED BY LETTER "B" IN LIEU OF FIRST DASH. SEE EXAMPLE IN NOTE <8>.
4. SCREW TO BE USED WITH CA2210-() R RETAINING RING TO CAPTIVATE TO PANEL.
5. PANEL PREPARATION REFER TO CAL-STD-0260 DRAWING.
6. INSTALLATION: REFER TO CA2210T-() DRAWING.
7. QUALITY CONFORMANCE INSPECTION:
 - 7.1 ULTIMATE TENSILE STRENGTH TESTING PER NASM1312, TEST 8.
 - 7.2 FLUORESCENT PENETRANT INSPECTION PER ASTM E1417 FOR DISCONTINUITY REQUIREMENTS OF MIL-B-87114, PARAGRAPH 3.2.2.1.
 - 7.3 INSPECTION LOT SAMPLING PER MIL-B-87114, PARAGRAPHS 4.2.1 AND 4.2.2 AS APPLICABLE TO TENSILE TESTING AND DISCONTINUITY EXAMINATION.

8. PART CALLOUT EXAMPLES:

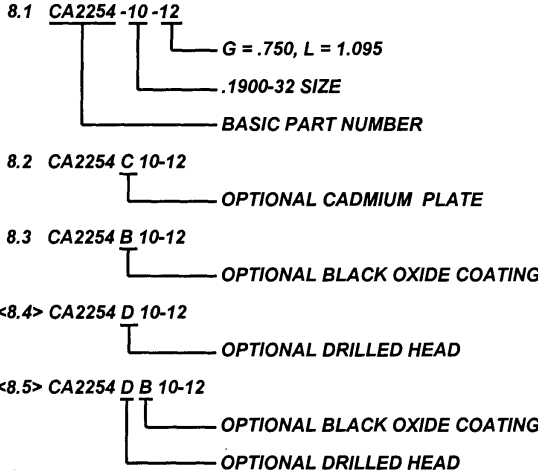



TABLE 2

SECOND DASH NUMBER	G GRIP ±.010	L LENGTH ±.015 .1900-32 SIZE	L LENGTH ±.015 .2500-28 SIZE	L LENGTH ±.015 .3750-24 SIZE
-1	.062	.407	.487	.640
-2	.125	.470	.550	.703
-3	.188	.533	.613	.766
-4	.250	.595	.675	.828
-5	.312	.657	.737	.890
-6	.375	.720	.800	.953
-7	.438	.783	.863	1.016
-8	.500	.845	.925	1.078
-9	.562	.907	.987	1.140
-10	.625	.970	1.050	1.203
-11	.688	1.033	1.113	1.266
-12	.750	1.095	1.175	1.328
-13	.812	1.157	1.237	1.390
-14	.875	1.220	1.300	1.453
-15	.938	1.283	1.363	1.516
-16	1.000	1.345	1.425	1.578
-17	1.062	1.407	1.487	1.640
-18	1.125	1.470	1.550	1.703
-19	1.188	1.533	1.613	1.766
-20	1.250	1.595	1.675	1.828
-21	1.312	1.657	1.737	1.890
-22	1.375	1.720	1.800	1.953
-23	1.438	1.783	1.863	2.016
-24	1.500	1.845	1.925	2.078
-25	1.562	1.907	1.987	2.140
-26	1.625	1.970	2.050	2.203
-27	1.688	2.033	2.113	2.266
-28	1.750	2.095	2.175	2.328
-29	1.812	2.157	2.237	2.390
-30	1.875	2.220	2.300	2.453
-31	1.938	2.283	2.363	2.516
-32	2.000	2.345	2.425	2.578
-34	2.125	2.470	2.550	2.703
-36	2.250	2.595	2.675	2.828
-38	2.375	2.720	2.800	2.953
-40	2.500	2.845	2.925	3.078
-42	2.625	2.970	3.050	3.203
-44	2.750	3.095	3.175	3.328
-46	2.875	3.220	3.300	3.453
-48	3.000	3.345	3.425	3.578
-50	3.125	3.470	3.550	3.703
-52	3.250	3.595	3.675	3.828
-54	3.375	3.720	3.800	3.953
-56	3.500	3.845	3.925	4.078
-58	3.625	3.970	4.050	4.203
-60	3.750	4.095	4.175	4.328
-62	3.875	4.220	4.300	4.453
-64	4.000	4.345	4.425	4.578

INTERIM DOCUMENT REVISION		
Rev.	Date	DAF #
H1	10/21/10	9439

INTERIM DOCUMENT REVISION		
Rev.	Date	DAF#
H2	10/8/2018	117431

APPROVED DATE 3 MAY 94 REV. LETTER AND DATE H 10 FEB 10 DAF NUMBER DAF91135	CURRENT DESIGN ACTIVITY:  ARCONIC Arconic Fastening Systems TRIDAIR PRODUCTS 3000 W. LOMITA BLVD. TORRANCE, CA 90505	TITLE: SCREW, CAPTIVE HEX HEAD, CRES UNLESS OTHERWISE SPECIFIED DIMENSIONS ARE IN INCHES & ASME Y14.5M TOLERANCES: ANGLES = ±2° DECIMALS .XX = ±.02 .XXX = ±.010	CURRENT DESIGN ACTIVITY: CAGE CODE: 29372 SALES DRAWING NO. CA2254-()-() SHEET 2 OF 2
--	--	--	--

S42793

SCANNED